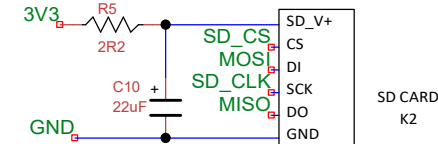
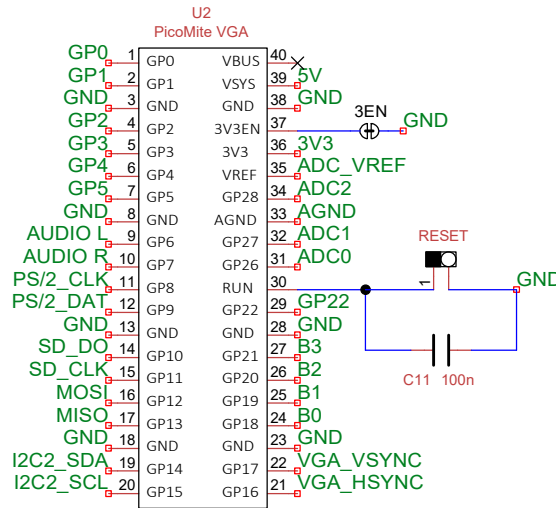
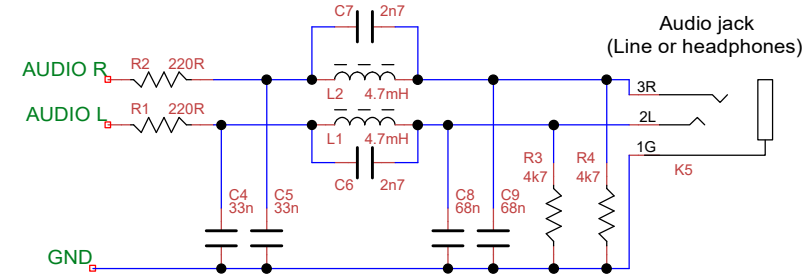
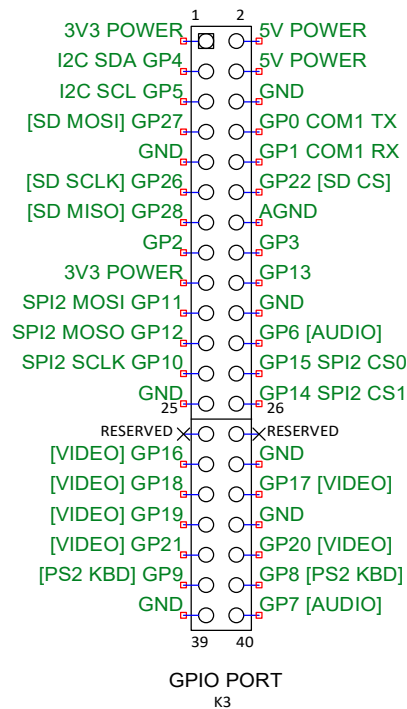
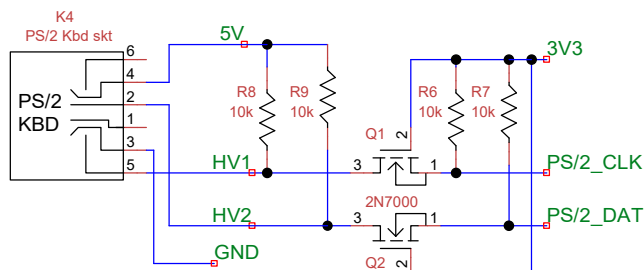


Note
D1 is an optional protection diode and can be linked out in most cases

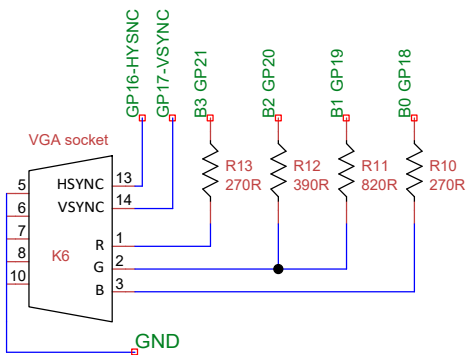
Note:
It is possible to use this board by omitting U1 and breaking the 3EN link beneath the PCB. However, audio output will be noisy.



C10 should be 10uF upwards. The value and type aren't critical.



12kHz roll-off filter by Volhout
L1, L2 4.7mH 20R Q:60 5% RS 191-1197
C3, C5 33n 5% RS 312-1504
C6, C7 2n7 5% RS 194-0507
C8, C9 68nF 5% RS 312-1532
R3 and R4 are optional and may improve the sound in some cases



Title Raspberry Pi-coMite		
Author Mixtel90		MMBasic by Geoff Graham + Peter Mather
File D:\User\Desktop\Raspberry Pi-coMite.dsn	Document	
Revision 1.0	Date 19 March 2023	Sheets 1 of 1